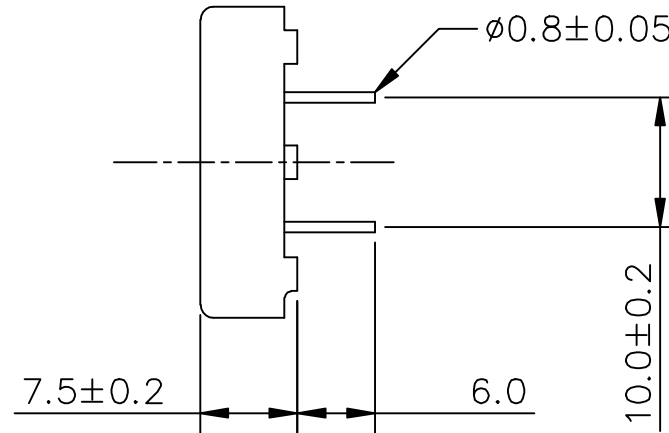
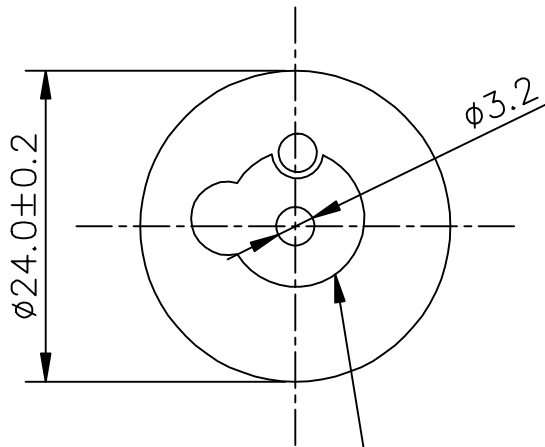


THIS DOCUMENT CONTAINS DATA PROPRIETARY TO PROJECTS UNLIMITED, INC. ANY USE OR REPRODUCTION, IN ANY FORM, WITHOUT PRIOR WRITTEN PERMISSION OF PROJECTS UNLIMITED, INC. IS PROHIBITED.  
 ©2003, Projects Unlimited Inc.

### SPECIFICATIONS

PARAMETERS	VALUES	UNITS
RATED VOLTAGE (SQUARE WAVE)	3	V <sub>p-p</sub>
OPERATING VOLTAGE RANGE	1 ~ 30	V <sub>p-p</sub>
RATED CURRENT (MAX)	1	mA
CAPACITANCE	21,000±30%	pF
MINIMUM SPL @ 10 CM	80	dB <sub>A</sub>
RESONANT FREQUENCY	4,000±500	Hz
OPERATING TEMPERATURE	-20 ~ +60	°C
STORAGE TEMPERATURE	-30 ~ +70	°C
HOUSING MATERIAL	NORYL	-
TERMINAL MATERIAL	Sn PLATED RED COPPER	-
WEIGHT	3	grams


REVISIONS			
LTR	DESCRIPTION	DATE	APPROVED
-	RELEASED FROM ENGINEERING	8/19/04	
A	REVISED DRAWING TITLE	8/23/04	R.W.
B	REMOVED LEAD FREE ADDED RoHS NOTE	8/10/05	
C	REVISED POSITIVE TERMINAL INDICATOR	12/12/07	R.W.
D	REVISED TERMINAL MATERIAL	11/6/08	B.R.



REMOVABLE TAB FOR WASHING

NOTES:

1. THIS PART IS RoHS 2002/95/EC COMPLIANT.
2. ALL DIMENSIONS ARE IN MILLIMETERS.
3. SPECIFICATION SUBJECT TO CHANGE OR WITHDRAWAL WITHOUT NOTICE.

UNLESS OTHERWISE SPECIFIED: DIMENSIONS ARE IN MILLIMETERS, TOLERANCES ARE ±0.5 AND ANGLES ARE ±3°.		 A Division of Projects Unlimited	6300 Sand Lake Road Dayton, Ohio 45414
APPROVALS	DATE		
DRAWN R.A.C.	8/04	<b>TRANSDUCER (PIEZO)</b> DRAWING NO. AT-2440-TWT-R	
CHECKED R.W.	8/04		
APPROVED		SIZE A	
FILE NAME AT-2440-TWT-R.DWG		SCALE: N.T.S.	SHEET 1 OF 1